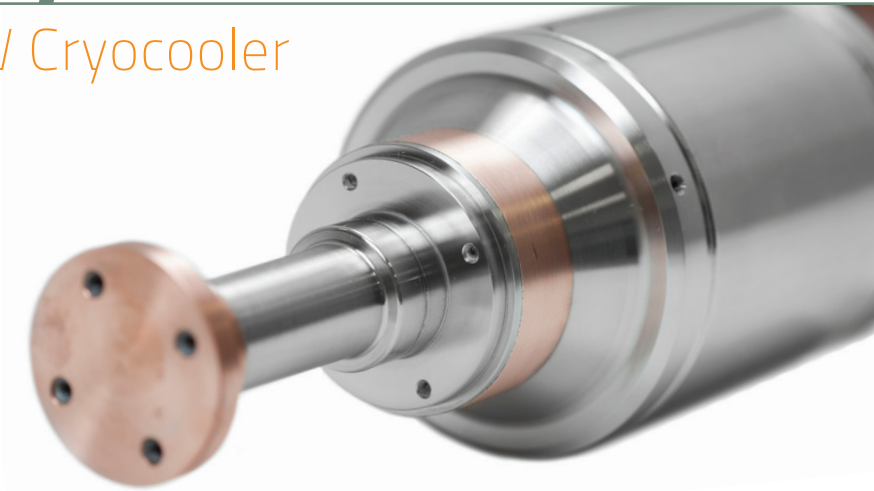


CryoTel[®] CT

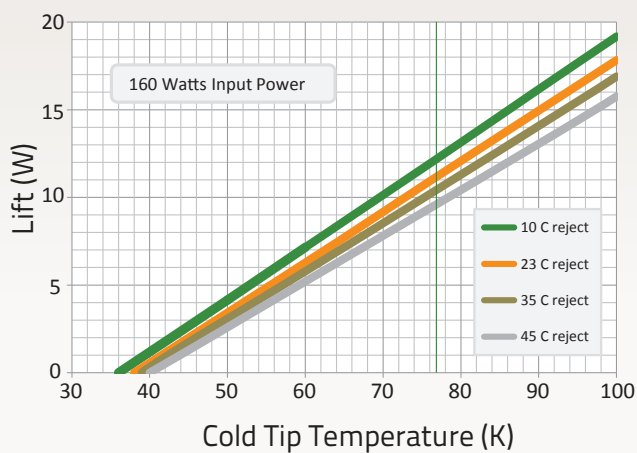
11W Cryocooler



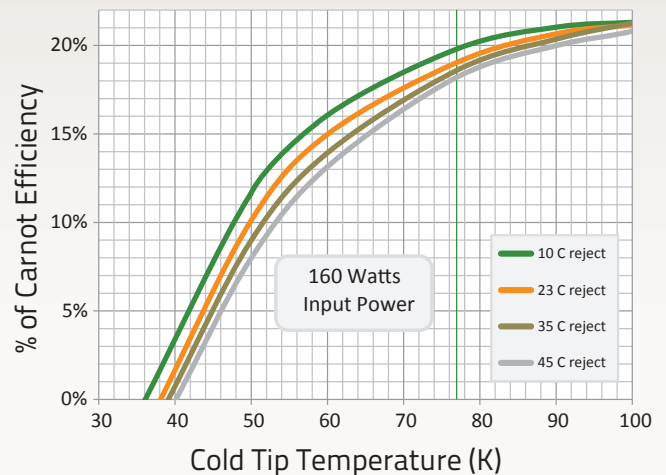
▶ THE MOST EFFICIENT
CRYOCOOLERS
COMMERCIALY AVAILABLE

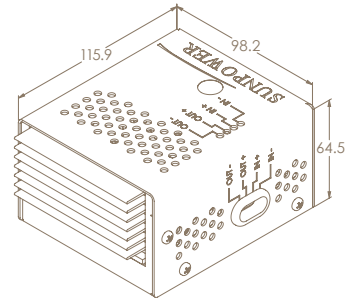
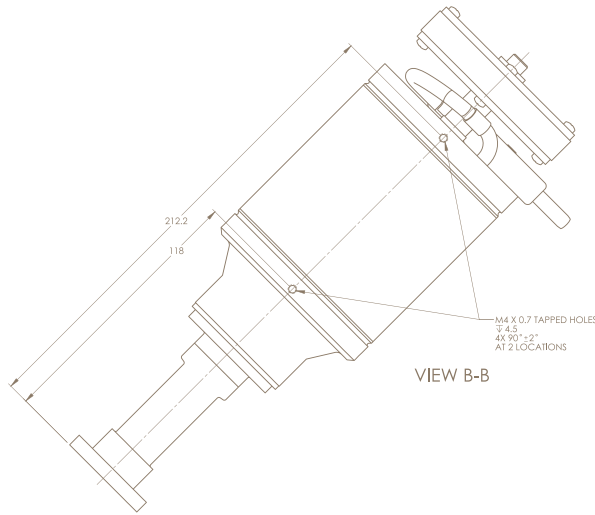
Nominal Lift @ 77K (23° C reject)	11 W
Nominal Input	160 W
Cooler Mass	3.1 kg
Temperature Stability	+ 0.1K
Power Supply	DC 24V
Length	261 mm
Diameter	83 mm
Ambient Operation	-40°C to 60°C
Orientation	any
Operating Frequency	60 Hz
MTTF	200,000 hrs

Nominal Performance



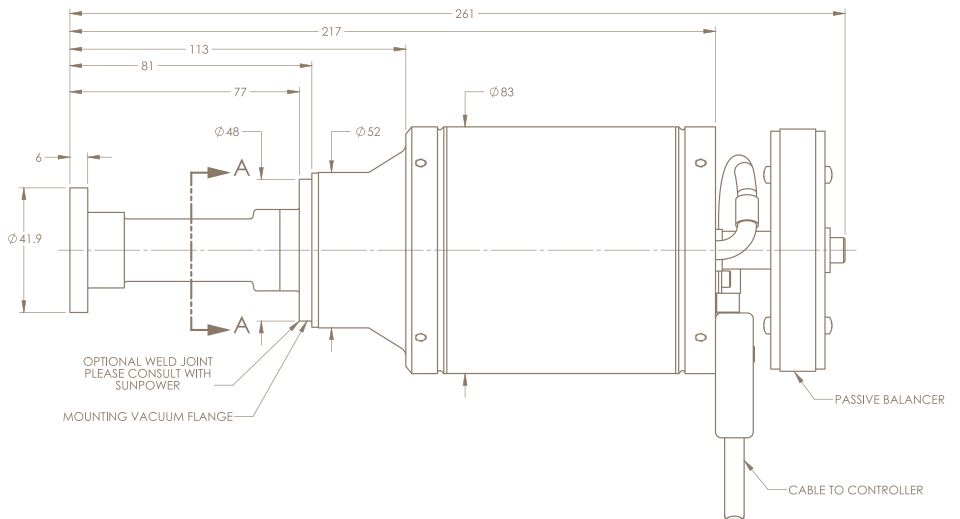
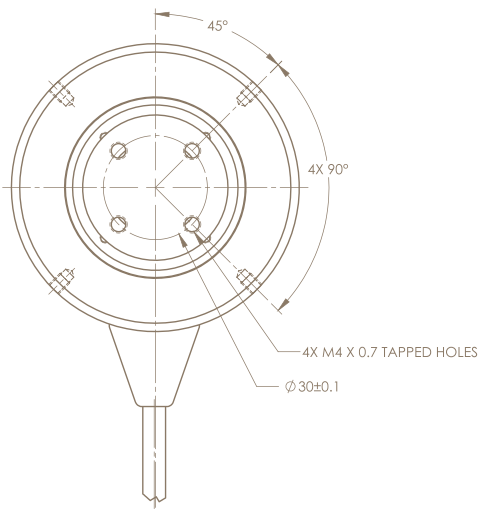
Percent of Carnot Efficiency



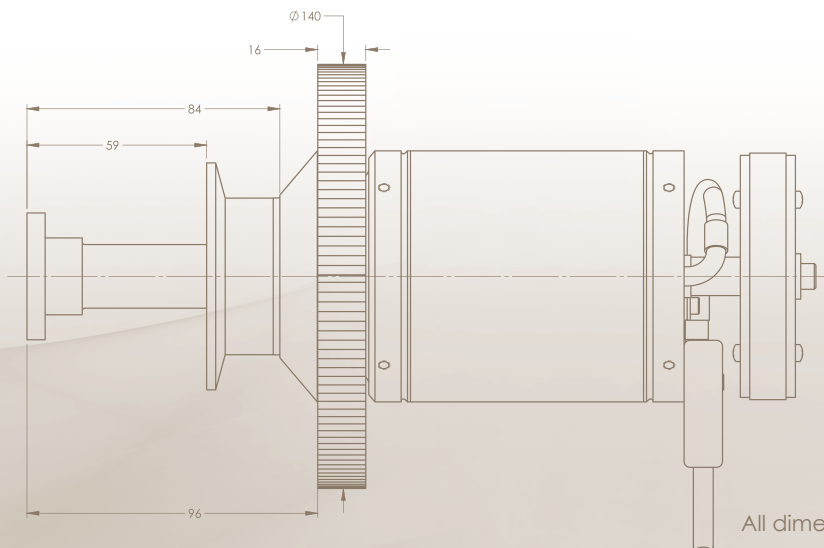
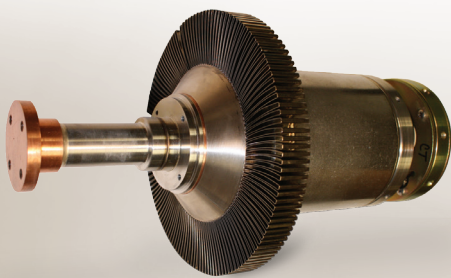


► Cooler and Controller

Base CT Cryocooler Dimensions



CT Cryocooler with Air Fins and NW50 Flange



All dimensions in mm

► CT cryocooler with air fins for cooling



1055 E. State Street - Suite D
Athens, Ohio 45701-2627 USA

740.594.2221
info@sunpowerinc.com
www.sunpowerinc.com

